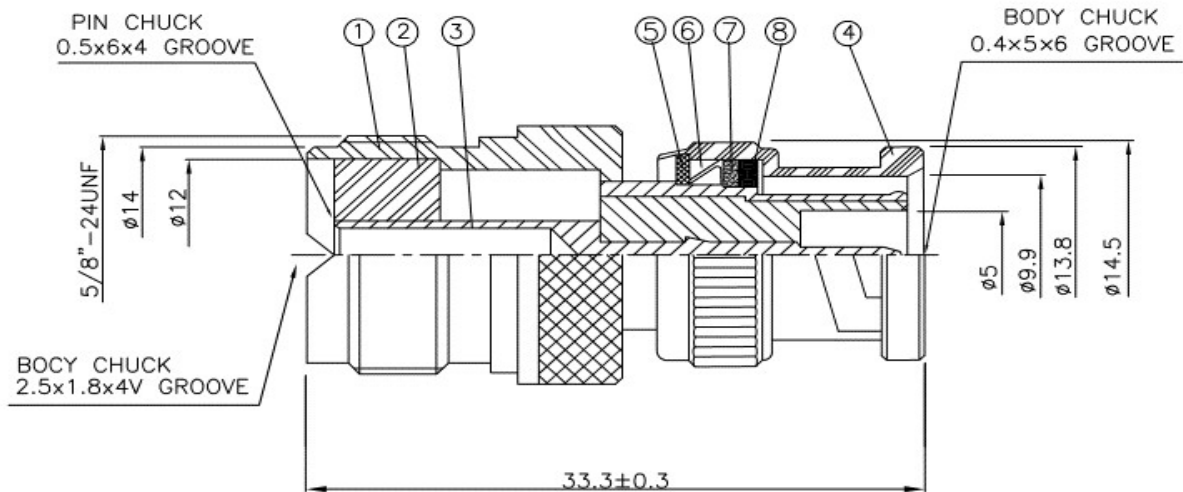
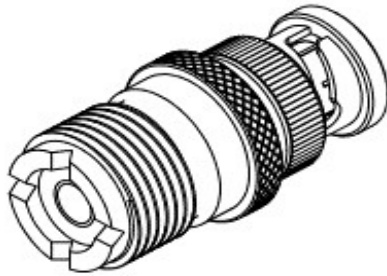


# B-164

## BNC Stecker / UHF Kupplung



NO	DESCRIPTION	MATERIAL	Q' TY	FINISH
1	BODY	BRASS	1	NICKEL
2	INSULATION	DELTRIN	1	DELTRIN
3	PIN	BRASS	1	NICKEL
4	SHELL	BRASS	1	NICKEL
5	WASHER	BRASS	1	NICKEL
6	SPRING	BRASS	1	NICKEL
7	WASHER	BRASS	1	NICKEL
8	GASKET	RUBBER	1	RUBBER